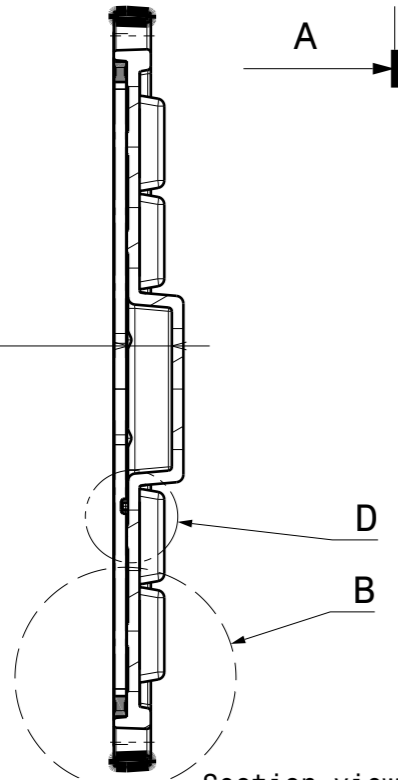
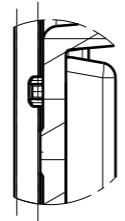


Typical space for component

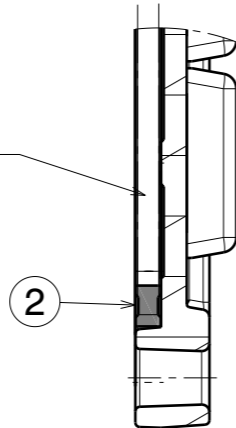


Section view A-A
Scale: 1:1

Detail D
Scale: 2:1



PCB space inside seal 81x 81mm



Detail B
Scale: 2:1

Detail C
Scale: 2:1



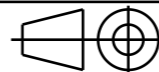
min. 2.0mm hole to PCB for two pins.

| INDEX | PART NO | DESCRIPTION | MATERIAL | COLOUR |
|-------|---------|--------------------|----------|--------|
| 1 | C16101 | STRADELLA-IP-28-T3 | PMMA | clear |
| 2 | C15900 | STRADELLA-28-SEAL | Silicone | |

Tolerances if not otherwise shown
According to DIN ISO 2768-1
Linear measures:
Up to 30mm class M, otherwise class C.
According to DIN ISO 2768-2
Form and position: class L

LEDiL

FIRST ANGLE PROJECTION:



DRAWING TITLE
CS16102_STRADELLA-IP-28-T3

This drawing is the property of LEDiL Oy. It may not be reproduced, copied or communicated without a written agreement with LEDiL Oy.

SIZE PART NUMBER
A3 Mechanical Drawing

SCALE 1:1 WEIGHT SHEET 1/1